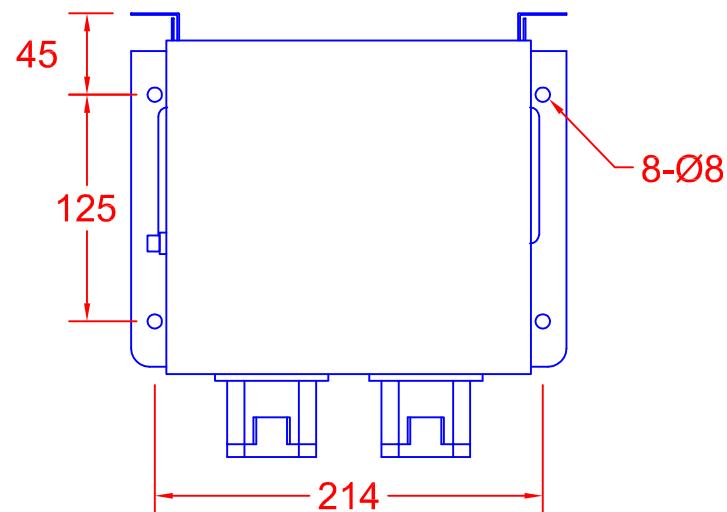
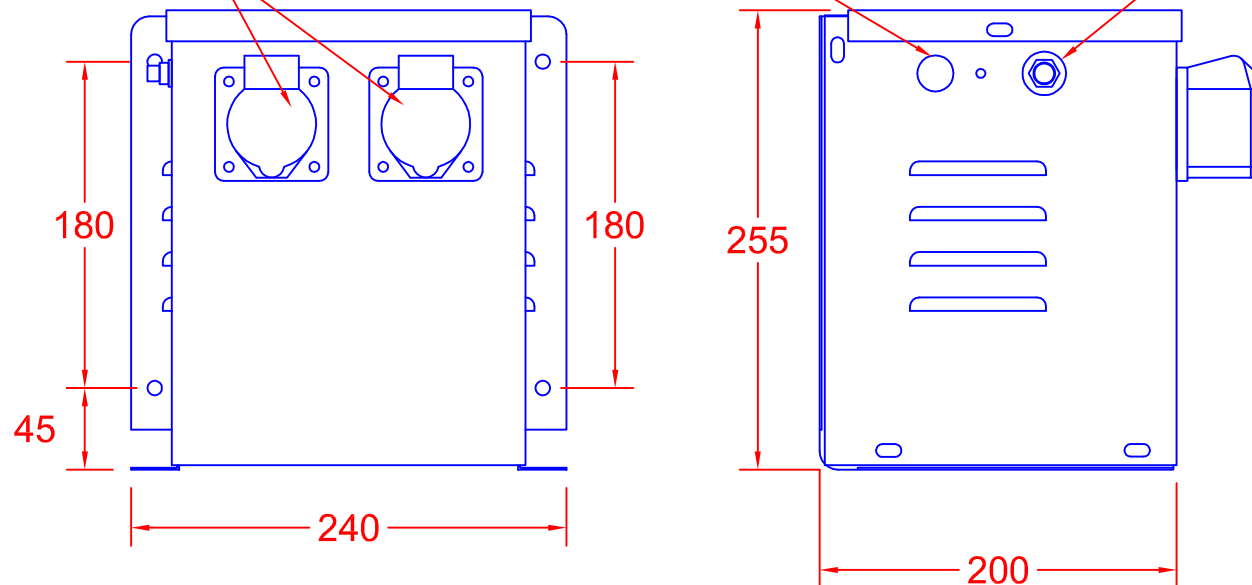


TOLERANCES (UNLESS SPECIFIED)	
0-10mm	±0.2mm
10.1-50mm	±0.5mm
50.1-250mm	±1.0mm
>250mm	±2.0mm

2x16A SOCKETS Ø20 GLAND HOLE EACH SIDE THERMAL CUT-OUT



WALL MOUNTING TRANSFORMER
 TYPE: ISOLATION TRANSFORMER
 MODEL: CM3300/WM2
 INPUT: 230V 50Hz
 OUTPUT: 55-0-55V
 RATING: CENTRE TAP EARTHED
 3.3kVA INTERMITTENT
 5 MINS, ON 15 MINS OFF
 THERMAL CUT-OUT: 10A
 OUTPUT SOCKET: 2x16A TO BS EN 60309
 ENCLOSURE: PAINTED MILD STEEL
 RATED IP22
 COLOUR: RAL 7032

REV	
4	
3	
2	
1	

CARROLL & MEYNELL
 TRANSFORMERS LIMITED
 TEL: 01642 617406 FAX: 01642 614178
 enquiries@carroll-meynell.com

TITLE WALL MOUNTED TRANSFORMER
 CM3300/WM2
 ALL DIMENSIONS IN mm

DRAWN	PROJECTION	DATE	SCALE
SH		15/2/8	NTS
DRAW No	REV	PAGE	
3278	0	1/1	